

# CTC CFA III

## Exhaust Air Ventilation



**CTC CFA III is an exhaust air unit designed to be placed atop CTC's indoor modules and heat pumps.**

CTC CFA III is the perfect complement to CTC's indoor modules and heat pumps, and allows for neat and simple installation in buildings with mechanical exhaust air ventilation when converting to a ground source heating system, traditional boiler, or air-to-water heat pump.

CTC CFA III has an exhaust air fan in sound-insulated housing, which is in the same colour and design as CTC's indoor modules and heat pumps. The fan runs continuously and creates vacuum pressure in the building, which means the used air is vented out and new, fresh air is supplied throughout the building by the building's own air supply diffuser.

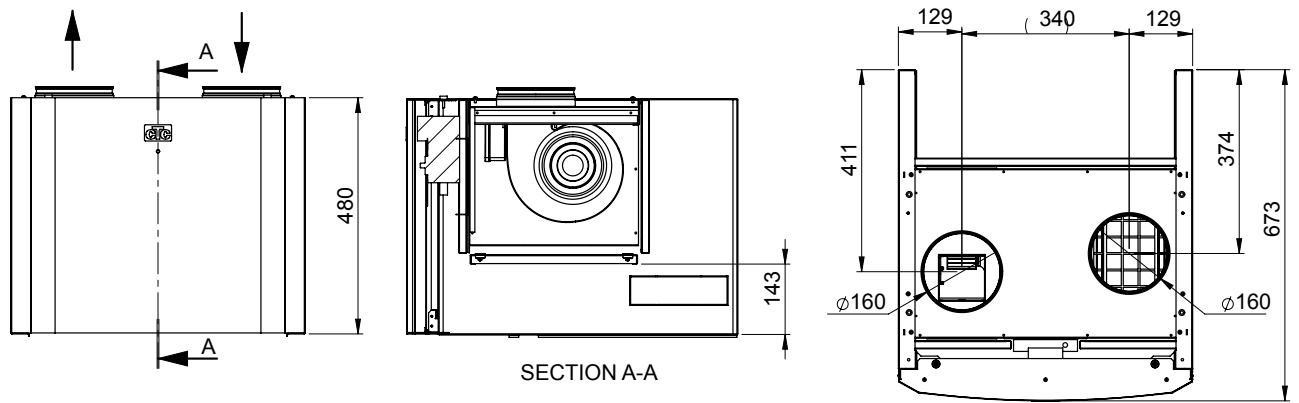
The front is easy to open when, for example, you want to replace the filter. CTC CFA III is designed to be placed atop CTC's indoor modules and heat pumps, but can also be installed free-standing on a shelf.

## Benefits

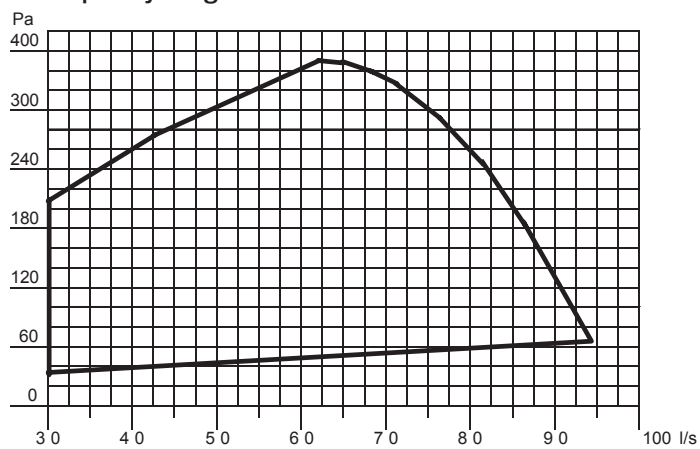
- Provides an optimal indoor climate
- A ventilation solution for buildings with mechanical exhaust air ventilation when converting to a heat pump or boiler
- Simple and neat installation
- For installation atop indoor modules/heat pumps or free-standing on a shelf
- Low noise level



## Dimensions diagram



## Capacity diagram



### Replacement air filter:

Filter Kit  
 CTC no.: 584165401  
 RSK no.: 6246948

### Compatible control units:

CTC EcoZenith i250 / i550  
 CTC EcoHeat 400  
 CTC EcoPart Pro

Technical data		CTC CFA III
RSK no.		6240934
CTC no.		586715001
Weight (packaged weight)	kg	26
Dimensions (width x depth x height)	mm	598 x 673 x 521
Electrical Data, connection		230V 1N~ 50Hz
Fan output	W	83
Enclosure class (IP)		IP 24
<b>Ventilation</b>		
Specific energy consumption (SEC) @ cold/moderate/warm climate	kWh/m <sup>2</sup> /year	-40,57 / -19,64 / -7,67
Airflow – ventilation (min/reference/max)	l/s	90
Maximum flow	l/s (m <sup>3</sup> /h)	115 (414)
Reference flow (SEK), (EU) no. 1254	l/s (m <sup>3</sup> /s)	70 (0,070)
Sound power reference flow (L <sub>WA</sub> )	dB(A)	44
Filter class EN 779		G80
Max. building size (at 0.35 l/s m <sup>2</sup> )	m <sup>2</sup>	250

Ecodesign data sheets can be downloaded from: [www.ctc-heating.com/Ecodesign](http://www.ctc-heating.com/Ecodesign)

Ecodesign data scale: A\* to G

