

Svenska

English

Deutsch

Français



Providing sustainable energy solutions worldwide

CTC EcoPart 400

Reservdelar och tillbehör



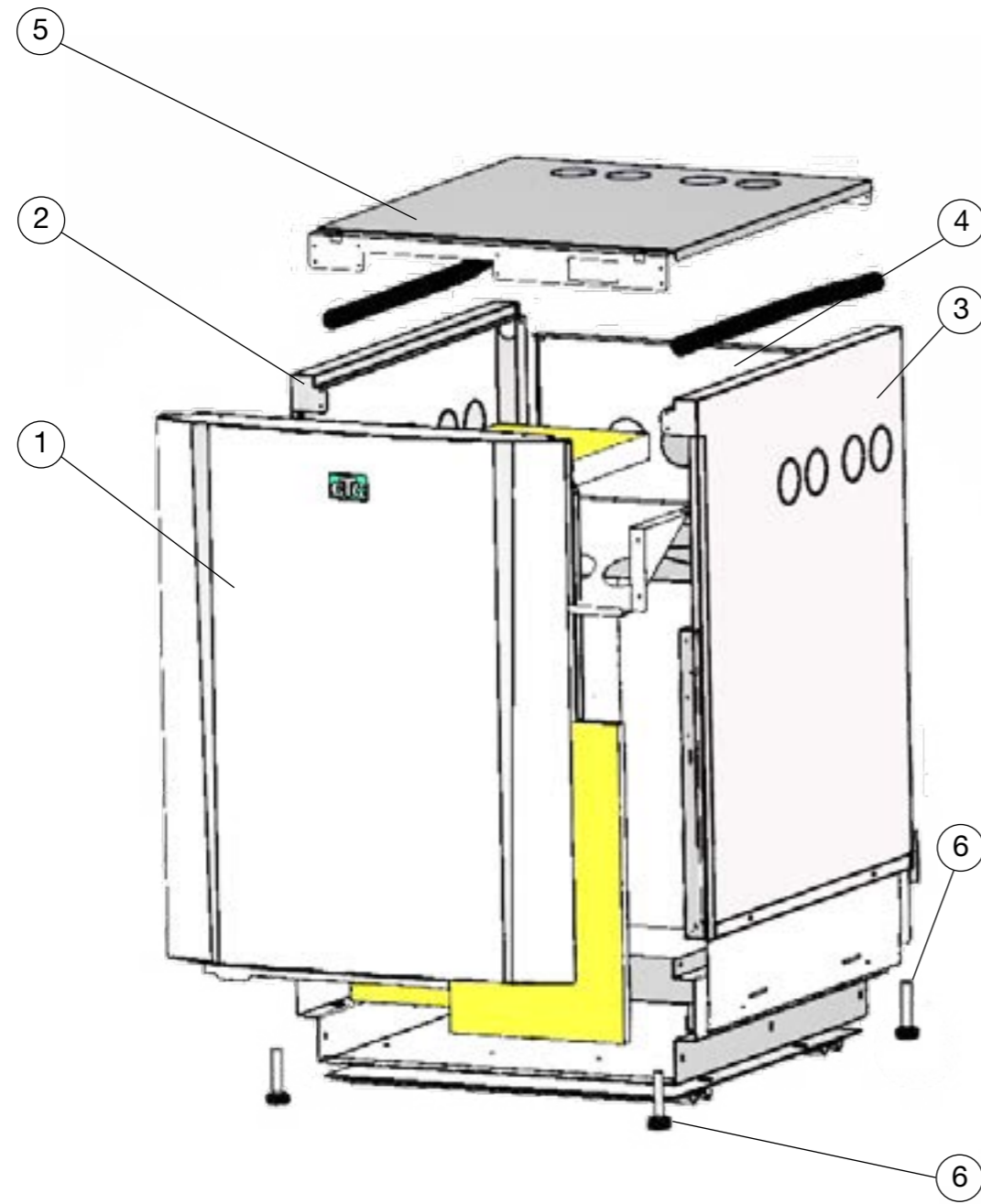
Produktmodeller

Innehållsförteckning

| | |
|--------------------------------|----|
| Produktmodeller | 3 |
| 1. Reservdelar Exteriör | 5 |
| 2. Reservdelar Elkablage | 7 |
| 3. Reservdelar Kylsystem | 9 |
| 4. Reservdelar Bipack & Övrigt | 13 |
| 5. Reservdelar Tillbehör | 15 |

| EAN | Rsk no | CTC Art no | Name |
|---------------|---------|------------|-------------------------------|
| 7333077000448 | 6246451 | 585700001 | CTC EcoPart 406, 3x400V |
| 7333077000455 | 6246452 | 585700002 | CTC EcoPart 408, 3x400V |
| 7333077000462 | 6246453 | 585700003 | CTC EcoPart 410, 3x400V |
| 7333077000479 | 6246454 | 585700004 | CTC EcoPart 412, 3x400V |
| 7333077000486 | | 585700005 | CTC EcoPart 414, 3x400V |
| 7333077000493 | | 585700006 | CTC EcoPart 417, 3x400V |
| 7333077000509 | | 585700011 | CTC EcoPart 406, 1x230V |
| 7333077000516 | | 585700012 | CTC EcoPart 408, 1x230V |
| 7333077000523 | | 585700013 | CTC EcoPart 410, 1x230V |
| 7333077000530 | | 585700014 | CTC EcoPart 412, 1x230V |
| 7333077000547 | | 585700015 | CTC EcoPart 414, 1x230V |
| | | #585700021 | CTC EcoPart 406 3x400V, 1xLEP |
| | | #585700022 | CTC EcoPart 408 3x400V, 1xLEP |
| | | #585700023 | CTC EcoPart 410 3x400V, 1xLEP |
| | | #585700024 | CTC EcoPart 412 3x400V, 1xLEP |
| | | #585700025 | CTC EcoPart 414 3x400V, 1xLEP |
| | | #585700026 | CTC EcoPart 417 3x400V, 1xLEP |
| 7333077000554 | 6246935 | 585700035 | CTC EcoPart 414 3x400V, 2xLEP |
| 7333077000561 | 6246936 | 585700036 | CTC EcoPart 417 3x400V, 2xLEP |

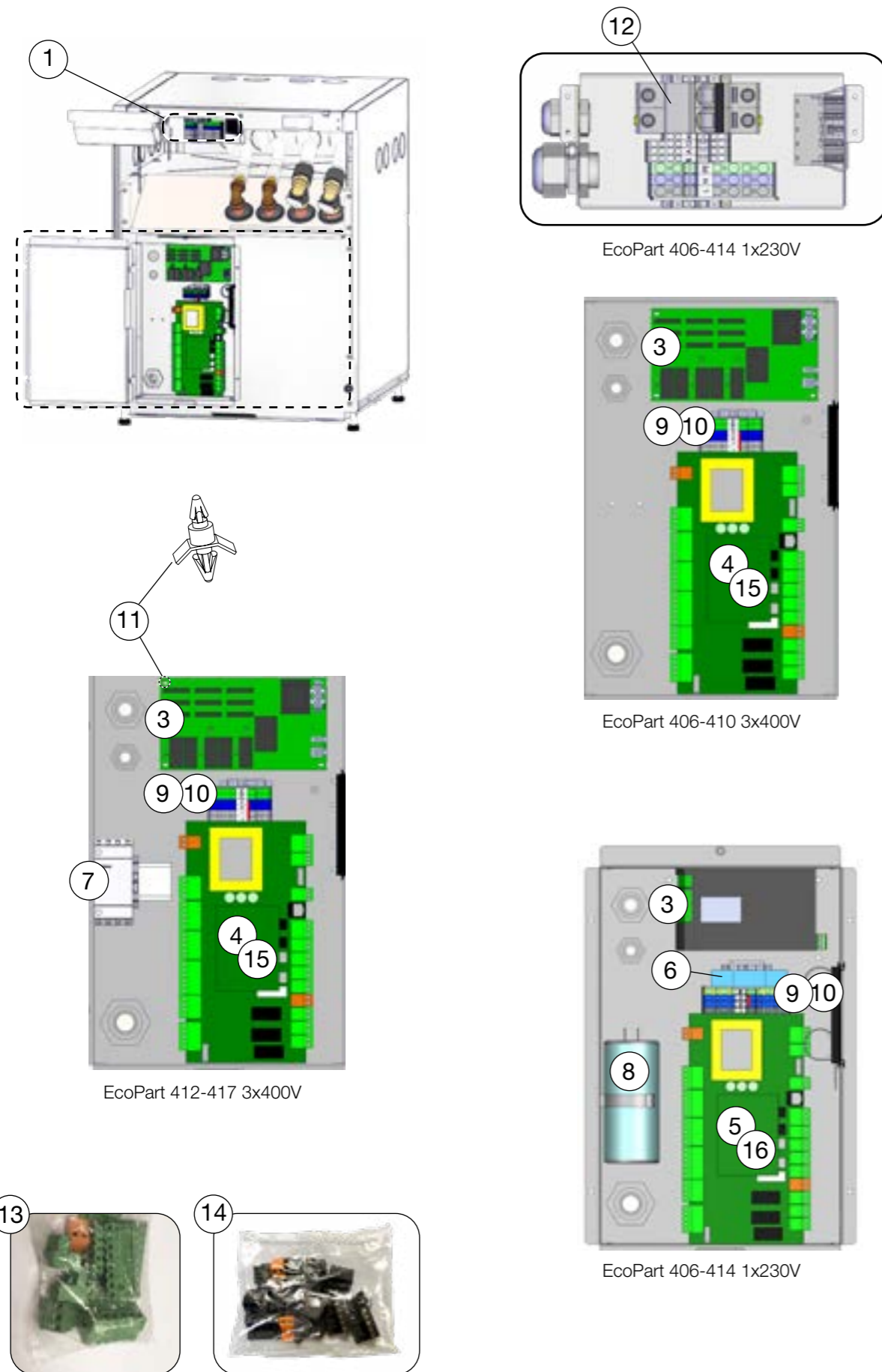




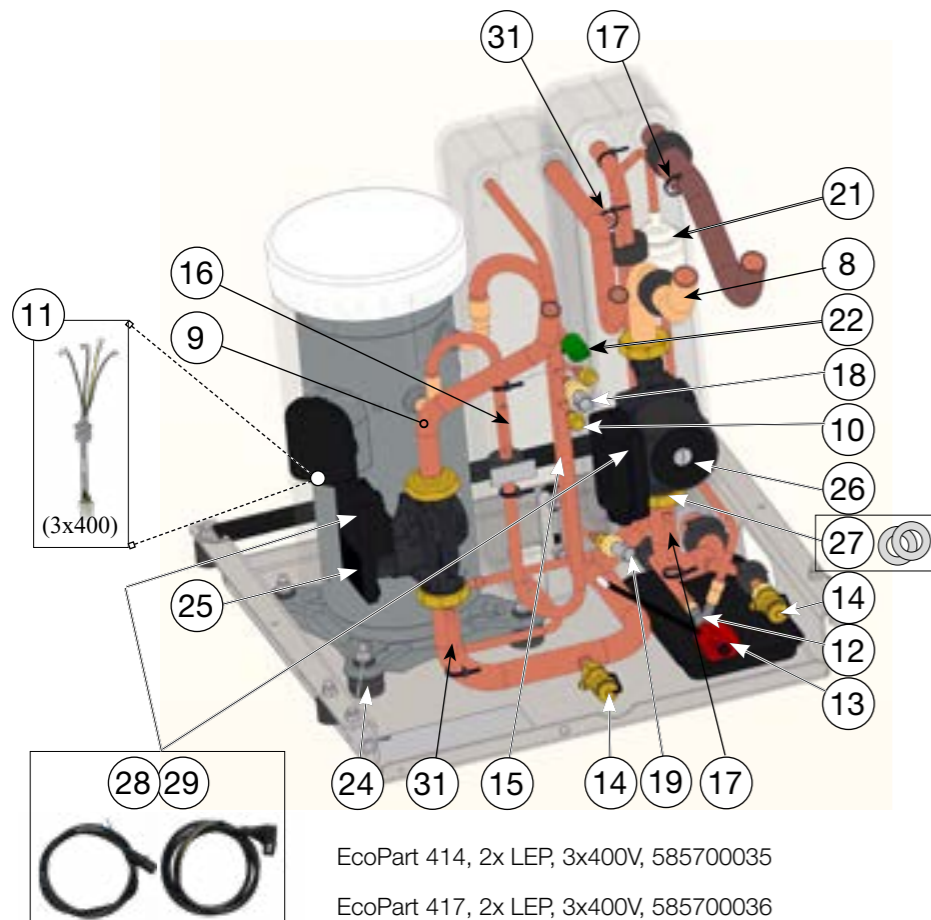
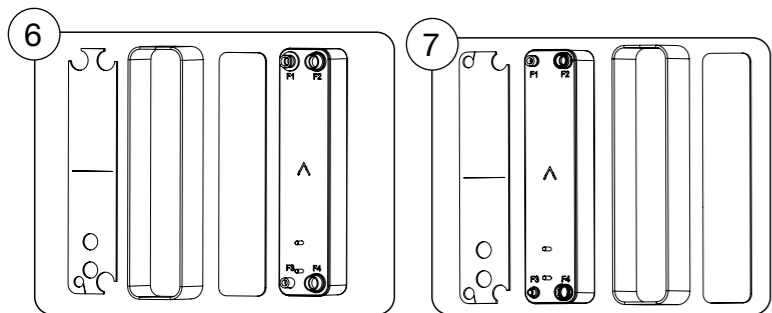
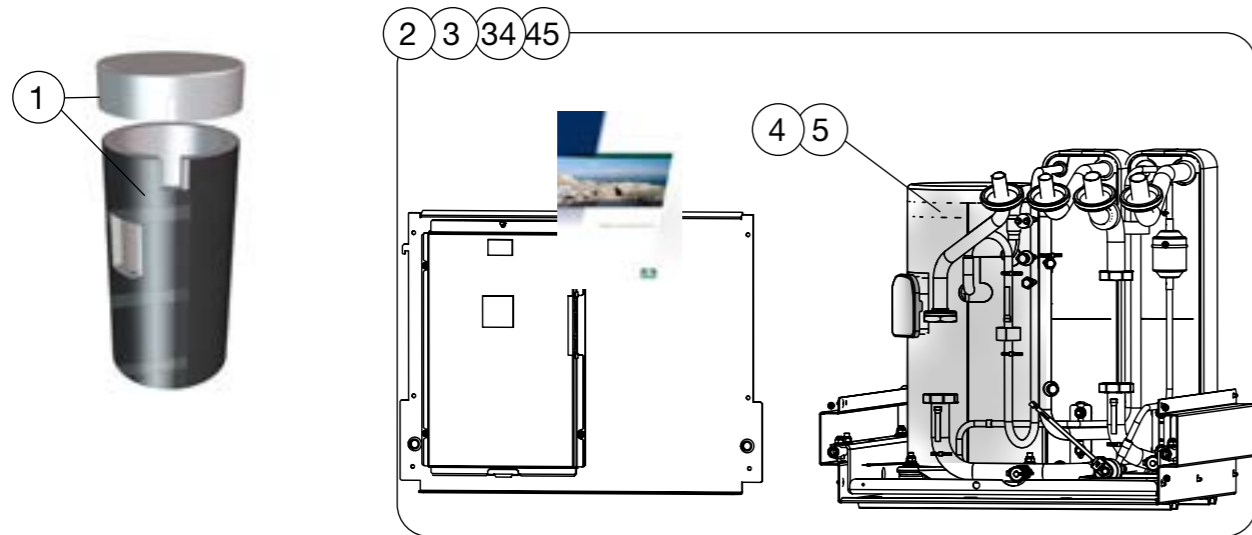
1. Reservdelar Exteriör

| Artikel nr | Namn | Serie från | Serie till | Rsk nr |
|------------|--------------------------------------|--------------|------------|--------|
| 1 | 585965301 Front EP 400 | 730112260239 | - | - |
| 2 | 585564317 Plåt, sida, vänster EP 400 | 730112260239 | - | - |
| 3 | 585565317 Plåt, sida, höger EP 400 | 730112260239 | - | - |
| 4 | 585566301 Plåt, bakre | 730112260239 | - | - |
| 5 | 585567317 Plåt, Tak | 730112260239 | - | - |
| 6 | 584624402 Ställfot M10 | 730112260239 | - | - |

2. Reservdelar Elkablage

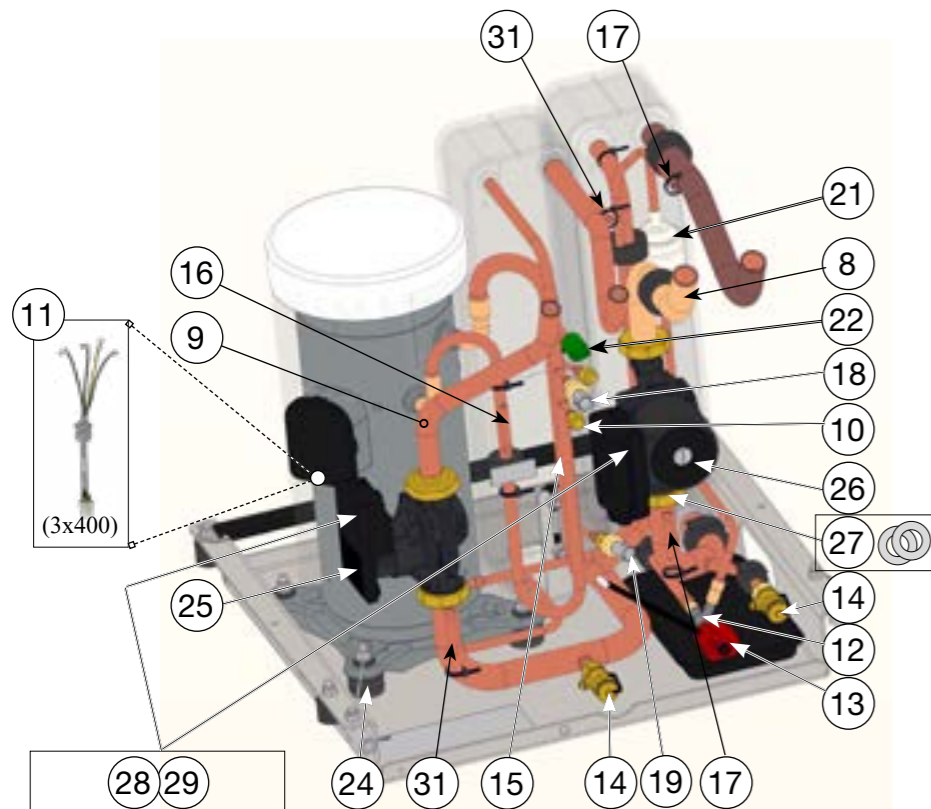


| Artikel nr | Namn | Serie från | Serie till | Rsk nr |
|------------|---|--------------|--------------|--------|
| 1 | 587829301 Anslutningsbox , 3x400 | 730112260239 | - | |
| 1 | 587820301 Anslutningsbox , 1x230 | 730112260239 | - | |
| 3 | 584797471 Kretskort, mjukstart , EP 406-410, 3x400 | 730112260239 | - | |
| 3 | 584797471 Kretskort, mjukstart , EP 412 | 730112260239 | 730113430344 | |
| 3 | 585738471 Kretskort, mjukstart , EP 412 3x400, 13A | 730113430345 | - | |
| 3 | 585738471 Kretskort, mjukstart , EP 414-417, 3x400, 13A | 730112260239 | - | |
| 3 | 585770401 Mjukstart , EP 406, 412,414, 32U, 1x230 | 730112260239 | - | |
| 3 | 585752301 Mjukstart , EP 408, 410, 25U, 1x230 | 730112260239 | - | |
| 4 | 586282401 Kretskort, relä , EP 406, 3x400 | - | 730119060062 | |
| 4 | 586282402 Kretskort, relä , EP 408, 3x400 | - | 730119060062 | |
| 4 | 586282403 Kretskort, relä , EP 410, 3x400 | - | 730119060062 | |
| 4 | 586282404 Kretskort, relä , EP 412, 3x400 | - | 730119060062 | |
| 4 | 586282405 Kretskort, relä , EP 414, 3x400 | - | 730119060062 | |
| 4 | 586282406 Kretskort, relä , EP 417, 3x400 | - | 730119060062 | |
| 5 | 586282407 Kretskort, relä , EP 406 , 1X230V | - | 730119060062 | |
| 5 | 586282410 Kretskort, relä , EP 408 , 1X230V | - | 730119060062 | |
| 5 | 586282408 Kretskort, relä , EP 408 , 1X230V | - | 730119060062 | |
| 5 | 586282411 Kretskort, relä , EP 412 , 1X230V | - | 730119060062 | |
| 5 | 586282409 Kretskort, relä , EP 414 , 1X230V | - | 730119060062 | |
| 6 | 585753401 Hjälprelä , RELACO C10 T13 6A | 730112260239 | - | |
| 7 | 586281401 Kontaktor , 25 A, EP 312-317, 3x400 | 730112260239 | - | |
| 8 | 913180401 Kondensator , 40µf, EP 406, 1x230V | 730112260239 | - | |
| 8 | 582065401 Kondensator , 50µf, EP 408, 414, 1x230V | 730112260239 | - | |
| 8 | 913181401 Kondensator , 60µf, EP 410, 1x230V | 730112260239 | - | |
| 8 | 913182401 Kondensator , 45µf, EP 412, 1x230V | 730112260239 | - | |
| 9 | 913146403 Plint , PLINT ST 2,5 TWIN BU | 730112260239 | - | |
| 9 | 584359003 Plint , ST 2,5 QUATTRO PE | 730112260239 | - | |
| 9 | 913146402 Plint , PLINT ST 2,5 TWIN BU, 3x400V | 730112260239 | - | |
| 9 | 584359001 Plint , ST 2,5 QUATTRO | 730112260239 | - | |
| 9 | 913146401 Plint , PLINT ST 2,5 TWIN | 730112260239 | - | |
| 9 | 913197403 Plint , ST6 TWIN PE | 730112260239 | - | |
| 9 | 913197402 Plint , ST6 TWIN BU | 730112260239 | - | |
| 9 | 913197403 Plint , ST6 TWIN PE | 730112260239 | - | |
| 9 | 913146401 Plint , PLINT ST 2,5 TWIN | 730112260239 | - | |
| 10 | 913145401 Plint , PLINT ST 2,5 | 730112260239 | - | |
| 11 | 913193401 Distans snap-in , 5 mm. | 730112260239 | - | |
| 12 | 588188301 Automatsäkring , 2P 10A, 1x230V | 730112260239 | - | |
| 13 | 585576302 Plintsats, kretskort , UPC Conn | 730112260239 | - | |
| 14 | 584873402 Plintsats, kretskort , UP2CONN0S0 | 730112260239 | - | |
| 15 | 588655401 Kretskort, relä , EP 406, 3x400 | 730119060063 | - | |
| 15 | 588655402 Kretskort, relä , EP 408, 3x400 | 730119060063 | - | |
| 15 | 588655403 Kretskort, relä , EP 410, 3x400 | 730119060063 | - | |
| 15 | 588655404 Kretskort, relä , EP 412, 3x400 | 730119060063 | - | |
| 15 | 588655405 Kretskort, relä , EP 414, 3x400 | 730119060063 | - | |
| 15 | 588655406 Kretskort, relä , EP 417, 3x400 | 730119060063 | - | |
| 16 | 588655407 Kretskort, relä , EP 406 , 1X230V | 730119060063 | - | |
| 16 | 588655408 Kretskort, relä , EP 410 , 1X230V | 730119060063 | - | |
| 16 | 588655409 Kretskort, relä , EP 414 , 1X230V | 730119060063 | - | |
| 16 | 588655410 Kretskort, relä , EP 408 , 1X230V | 730119060063 | - | |
| 16 | 588655411 Kretskort, relä , EP 412 , 1X230V | 730119060063 | - | |

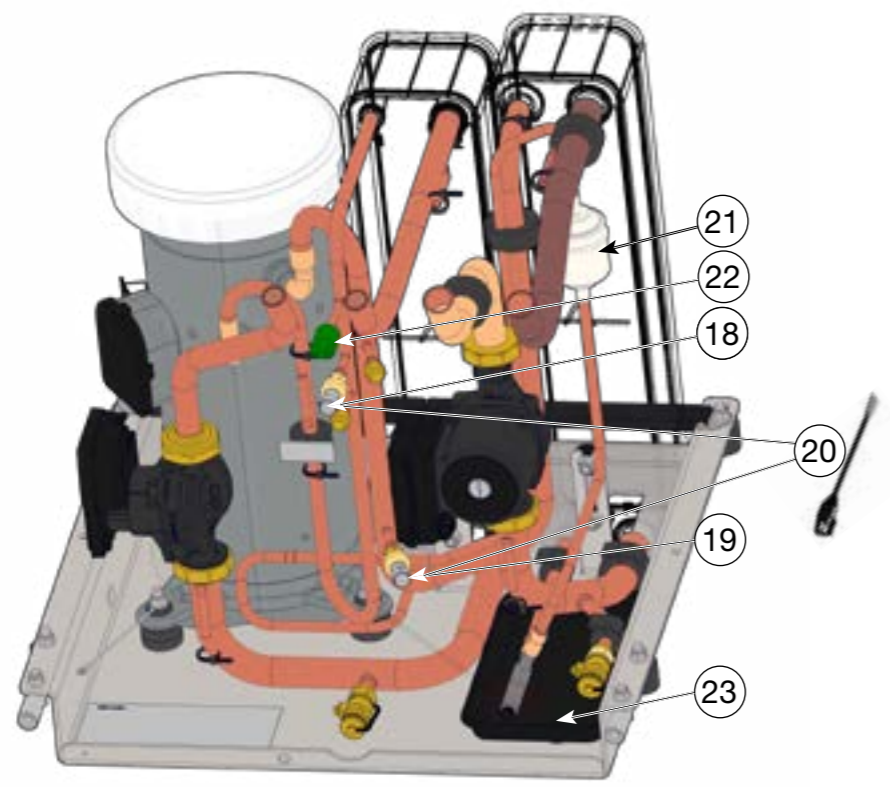
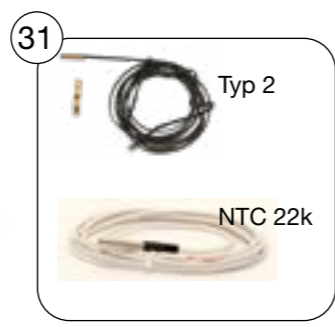
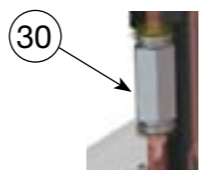
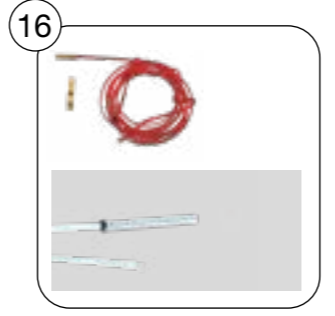


3. Reservdelar Kylsystem

| Artikel nr | Namn | Serie från | Serie till | Rsk nr |
|------------|--|--------------|--------------|--------|
| 1 | 585335301 Ljudhuvsats kompressor , AEH33 | 730112260239 | - | - |
| 1 | 585335302 Ljudhuvsats kompressor, ZH21-26 | 730112260239 | - | - |
| 1 | 585335303 Ljudhuvsats kompressor, ZH30-45 | 730112260239 | - | - |
| 2 | 586700031 Kylmodul, service , 406:l, 3x400V, no pumps | - | 730119060062 | - |
| 2 | 586700032 Kylmodul, service , 408:l, 3x400V, no pumps | - | 730119060062 | - |
| 2 | 586700033 Kylmodul, service , 410:l, 3x400V, no pumps | - | 730119060062 | - |
| 2 | 586700034 Kylmodul, service , 412:l, 3x400V, no pumps | - | 730119060062 | - |
| 2 | 586700035 Kylmodul, service , 414:l, 3x400V, no pumps | - | 730119060062 | - |
| 2 | 586700036 Kylmodul, service , 417:l, 3x400V, no pumps | - | 730119060062 | - |
| 3 | 586700041 Kylmodul, service , 406:l 1x230V, no pumps | - | 730119060062 | - |
| 3 | 586700042 Kylmodul, service , 408:l, 1x230V, no pumps | - | 730119060062 | - |
| 3 | 586700043 Kylmodul, service , 410:l, 1x230V, no pumps | - | 730119060062 | - |
| 3 | 586700044 Kylmodul, service , 412:l, 1x230V, no pumps | - | 730119060062 | - |
| 3 | 586700045 Kylmodul, service , 414:i, 1x230V, no pumps | - | 730119060062 | - |
| 4 | 584870301 Kompressor , MITSU AEH33Y, 406, 3x400V | 730112260239 | - | - |
| 4 | Kompressor , COPEL ZH21K4E-TFD, 408, 3x400v | 730112260239 | - | - |
| 4 | 580428403 Kompressor , COPEL ZH26K4E-TFD, 410, 3x400v | 730112260239 | - | - |
| 4 | 580428404 Kompressor , COPEL ZH30K4E-TFD, 412, 3x400v | 730112260239 | - | - |
| 4 | 580428405 Kompressor , COPEL ZH38K4E-TFD, 414, 3x400v | 730112260239 | - | - |
| 4 | 580428407 Kompressor , COPEL ZH45K4E-TFD, 417, 3x400v | 730112260239 | - | - |
| 5 | 585592301 Kompressor , MITSU AEH33VEYMT, 406, 1x230V | 730112260239 | - | - |
| 5 | 913177404 Kompressor , COPEL ZH21K4E-PFJ, 408, 1x230V | 730112260239 | - | - |
| 5 | 913177402 Kompressor , COPEL ZH26K4E-PFJ, 410, 1x230V | 730112260239 | - | - |
| 5 | 913177403 Kompressor , COPEL ZH30K4E-PFZ, 412, 1x230V | 730112260239 | - | - |
| 5 | 913177405 Kompressor , COPEL ZH38K4E-PFZ, 414, 1x230V | 730112260239 | - | - |
| 6 | 584783301 Förångare, isolerad , 406, 3x400V, 1x230V | 730112260239 | - | - |
| 6 | 584783302 Förångare, isolerad , 408, 410, 3x400V, 1x230V | 730112260239 | - | - |
| 6 | 584783303 Förångare, isolerad , 412, 3x400V, 1x230V | 730112260239 | - | - |
| 6 | 584783304 Förångare, isolerad , 414-417, 3x400V, 1x230V | 730112260239 | - | - |
| 7 | 584785301 Kondensor, isolerad , 406, 3x400V, 1x230V | 730112260239 | - | - |
| 7 | 584785302 Kondensor, isolerad , 408, 3x400V, 1x230V | 730112260239 | - | - |
| 7 | 584785303 Kondensor, isolerad , 410, 3x400V, 1x230V | 730112260239 | - | - |
| 7 | 584785304 Kondensor, isolerad , 412, 3x400V, 1x230V | 730112260239 | - | - |
| 7 | 584785305 Kondensor, isolerad , 414-417, 3x400V, 1x230V | 730112260239 | - | - |
| 8 | 586916301 Rör, brinepump, kit, isolerad | 730112260239 | - | - |
| 9 | 585963301 Rör, laddpump, kit , UPM2 15-60 130 | 730112260239 | - | - |
| 10 | 587603301 Schradventil, rak , 1/4" | 730112260239 | - | - |
| 11 | 585162401 Kabel Kompr., matning , 4G 1.5 | 730112260239 | - | - |
| 11 | 585350401 Kabel Kompr., matning , 4G 2.5 406-410, 3x400V | 730112260239 | - | - |
| 11 | 585163401 Kabel Kompr., matning , 4G 2.5 412, 3x400V | 730112260239 | - | - |
| 12 | 584757302 Expansionsventil, el , E2V14USF, KM 406 | 730112260239 | - | - |
| 12 | 584757303 Expansionsventil, el , E2V18USF, KM 408, 410 | 730112260239 | - | - |
| 12 | 584757304 Expansionsventil, el , E2V24USF, KM 412-417 | 730112260239 | - | - |



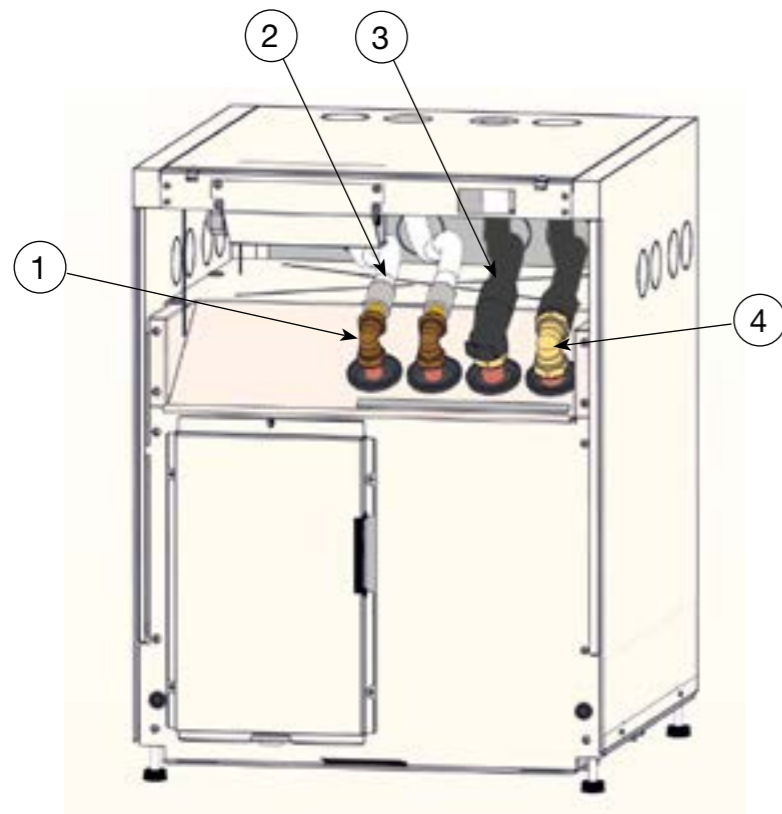
EcoPart 414, 2x LEP, 3x400V, 585700035
EcoPart 417, 2x LEP, 3x400V, 585700036



EcoPart 414, 2x LEP, 3x400V, 585700035
EcoPart 417, 2x LEP, 3x400V, 585700036

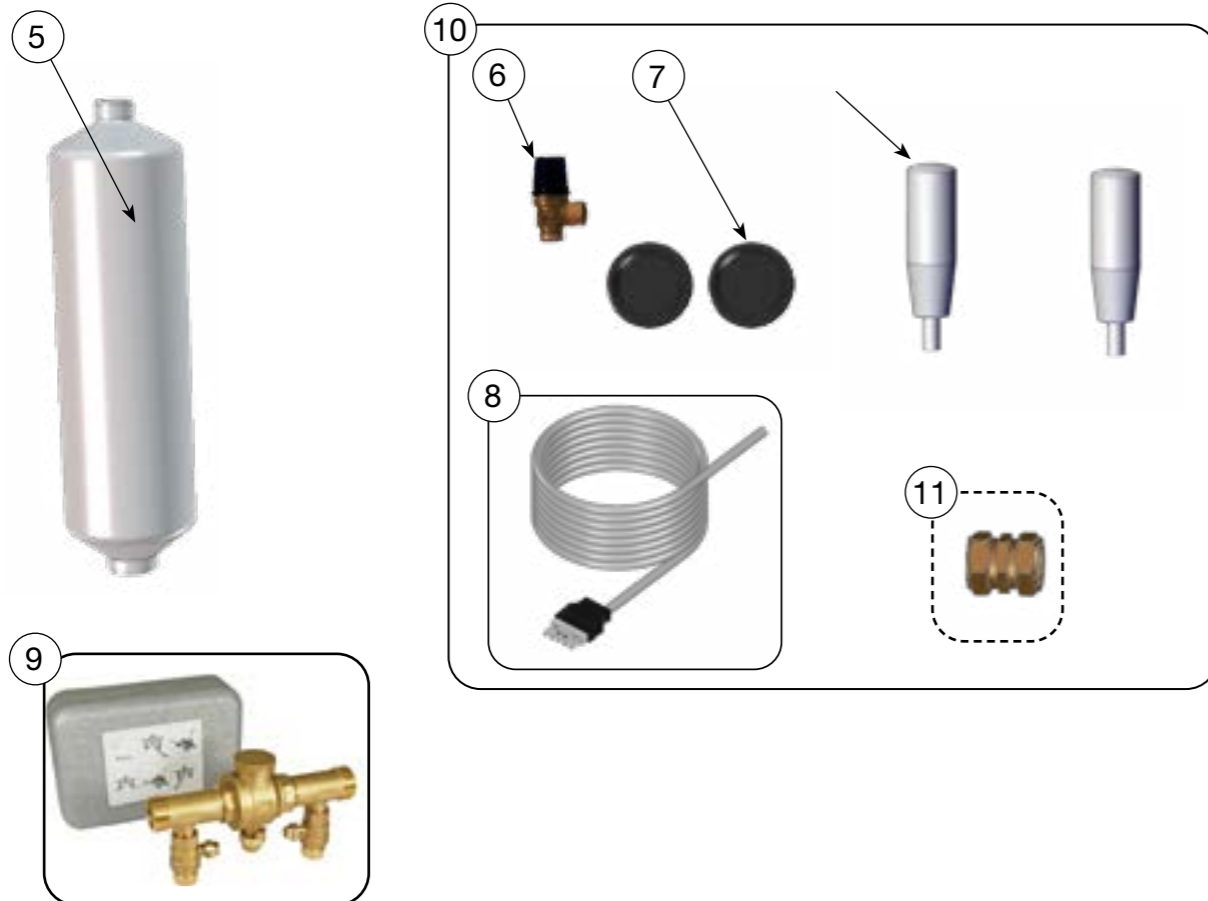
3. Reservdelar Kylsystem

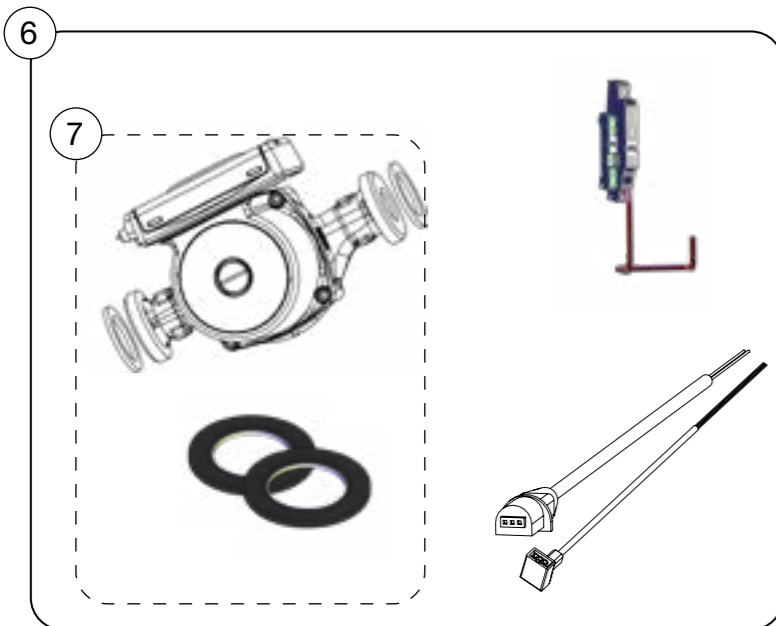
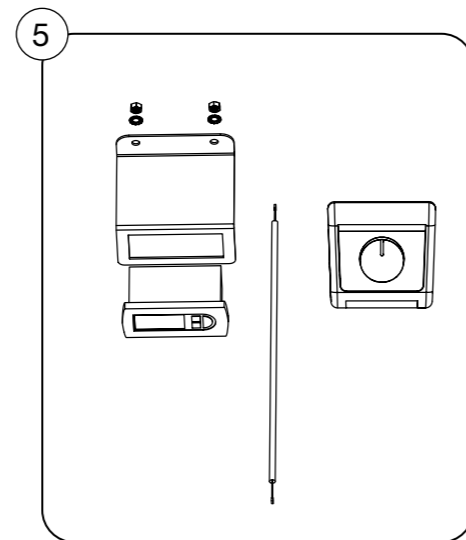
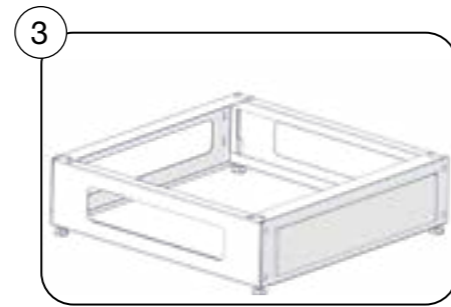
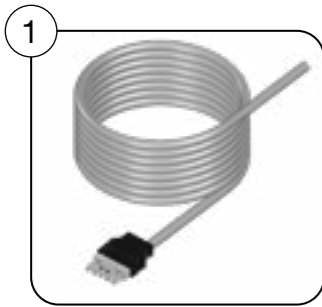
| Artikel nr | Namn | Serie från | Serie till | Rsk nr |
|------------|--|--------------|--------------|--------|
| 13 | 588561301 Stator , E2V-UP | 730112260239 | - | |
| 14 | 588718301 Avtappningsventil , 1/2" | 730112260239 | - | |
| 15 | 588564301 Givare, suggas , Type 1 | 730119060063 | - | |
| 15 | 588568302 Givare, suggas , NTC 015 WF00 | - | 730119060062 | |
| 16 | 588566301 Givare hetgas , Type 3 | 730119060063 | - | |
| 16 | 588567301 Givare hetgas , NTC 050 1,25m | - | 730119060062 | |
| 17 | 588564301 Givare, brine , Typ 1, | 730119060063 | - | |
| 17 | 588573301 Givare, brine , 2,5m 22K, | - | 730119060062 | |
| 18 | 584486302 Högtrycksgivare , 45bar | 730112260239 | - | |
| 19 | 584486301 Lågtrycksgivare | 730112260239 | - | |
| 20 | 584936302 Kabel hög/lågtrycksgivare , 1300 mm | 730112260239 | - | |
| 21 | 587559301 Torkfilter , kit, 406-410 | 730112260239 | - | |
| 21 | 587559302 Torkfilter , kit, 412 | 730112260239 | - | |
| 21 | 587559303 Torkfilter , kit, 414-417 | 730112260239 | - | |
| 22 | 582513402 Högtryckspressostat , 31bar L=100 | 730112260239 | - | |
| 23 | 912598401 Kondensvattenskål | 730112260239 | - | |
| 24 | 912649402 Dämpare , M8 | 730112260239 | - | |
| 25 | Laddpump, packningar , EP 406-408, 25/70-130 | | | |
| 25 | 588893301 PWM | 730112260239 | - | |
| 25 | Laddpump, packningar , EP 410-412, 25/75-130 | | | |
| 25 | 588894301 PWM | 730112260239 | - | |
| 25 | Laddpump, packningar , EP 414-417, 25/85-130 | | | |
| 25 | 588895301 PWM | 730112260239 | - | |
| 26 | 588439301 Brinepump, packningar , EP 406,408, 25/70-180 | 730112260239 | - | |
| 26 | Brinepump, packningar, kabel , EP 410-417, | | | |
| 26 | 588898301 25/125-180 | 730112260239 | - | |
| 27 | 588821301 Packningssats stålring , Ø45/27*3 | 730112260239 | - | |
| 28 | 585214301 Kabel, laddpump, PWM, 1 m | 730112260239 | - | |
| 29 | 586451401 Kabel laddpump matning 1m | 730112260239 | - | |
| 30 | 585747401 Övergångsnippel , Ø28mm-Ø32mm L=130mm | 730112260239 | - | |
| 31 | 588565301 Givare, framI, retur , Typ 2 | 730119060063 | - | |
| 31 | 588573301 Givare, framI, retur , 22K 2.5m, shrink tubing | - | 730119060062 | |
| 34 | 587500031 Kylmodul, service , 406:II, 3x400V, no pumps | 730119060063 | - | |
| 34 | 587500032 Kylmodul, service , 408:II, 3x400V, no pumps | 730119060063 | - | |
| 34 | 587500033 Kylmodul, service , 410:II, 3x400V, no pumps | 730119060063 | - | |
| 34 | 587500034 Kylmodul, service , 412:II, 3x400V, no pumps | 730119060063 | - | |
| 34 | 587500035 Kylmodul, service , 414:II, 3x400V, no pumps | 730119060063 | - | |
| 34 | 587500036 Kylmodul, service , 417:II, 3x400V, no pumps | 730119060063 | - | |
| 45 | 587500041 Kylmodul, service , 406:II 1x230V, no pumps | 730119060063 | - | |
| 45 | 587500042 Kylmodul, service , 408:II, 1x230V, no pumps | 730119060063 | - | |
| 45 | 587500043 Kylmodul, service , 410:II, 1x230V, no pumps | 730119060063 | - | |
| 45 | 587500044 Kylmodul, service , 412:II, 1x230V, no pumps | 730119060063 | - | |
| 45 | 587500045 Kylmodul, service , 414:II, 1x230V, no pumps | 730119060063 | - | |



4. Reservdelar Bipack & Övrigt

| Artikel nr | Namn | Serie från | Serie till | Rsk nr |
|------------|------------|--|----------------|---------|
| 1 | 583840403 | Vinkelkoppling, 6-kant , 28x22 | 730112260239 - | |
| 2 | 585989301 | Flexslang, metallflätad , 700 mm, 22x22 | 730112260239 - | |
| 3 | 585989305R | Flexslang, isolerad , 1000 mm 28x28 | 730112260239 - | 6212348 |
| 4 | 588715301 | Vinkelkoppling, 6-kant , 28x28 | 730112260239 - | |
| 5 | 578511401 | Nivåkärl, brine , 1"x1/2", EP 406-412 | 730112260239 - | 6246804 |
| 6 | 588720301 | Säkerhetsventil , 1/2" 3 bar | 730112260239 - | |
| 7 | 585054401 | Gummigenomföring , Ø 60 | 730112260239 - | |
| 8 | 586040401T | Kommunikationkabel , Modbus, 5 m | 730112260239 - | 6246819 |
| 9 | 586720301T | Påfyllnadssats, mässing , G25, EP 406-412 | 730112260239 - | 6251102 |
| 9 | 586720302T | Påfyllnadssats, mässing , G32, EP 414, 417 | 730112260239 - | 6251103 |
| 10 | 585729301 | Bipack , EP 406-412 | 730112260239 - | |
| 10 | 585998301 | Bipack , EP 414-417 | 730112260239 - | |
| 11 | 584024401 | Koppling rak , 28x28, EP 414-417 | 730112260239 - | |





5. Reservdelar Tillbehör

| Artikel nr | Namn | Serie från | Serie till | Rsk nr |
|------------|---|--------------|--------------|---------|
| 1 | 586041401 Kommunikationkabel , Modbus, 10 m | 730112260239 | - | 6246820 |
| 2 | 578685401 Kalklösare , AQUA | 730112260239 | - | 6246325 |
| 3 | 586500301 CTC Förhöjningssockel , 174 mm | 730112260239 | 730120390472 | 6212327 |
| 3 | 589590301 CTC Förhöjningssockel II , 174 mm | 730120390473 | - | 6212582 |
| 4 | 585991301 Säkerhetspressostat , F4RL1G/M2 1/4" | 730112260239 | - | 6212353 |
| 5 | 587893301 CTC Basicstyrning | 730112260239 | - | 6212361 |
| 6 | 587477303 CTC Laddpump, kablar, packningar , 25/70-130 6-8 kW | 730112260239 | - | 6212428 |
| 6 | 587477302 CTC Laddpump, kablar, packningar , 25/75-130 10-12 kW | 730112260239 | - | 6212427 |
| 6 | 587477301 CTC Laddpump, kablar, packningar , 25/85-130 14-22 kW | 730112260239 | - | 6212426 |
| 6 | 587477304 CTC Laddpump, kablar, packningar , EZ 250, 15/75-130 10-22 kW | 730112260239 | - | 6212429 |
| 7 | 588893301 Laddpump, packningar , 25/70-130 6-8 kW | 730112260239 | - | 6212474 |
| 7 | 588894301 Laddpump, packningar , 25/75-130 10-12 kW | 730112260239 | - | 6212475 |
| 7 | 588895301 Laddpump, packningar , 25/85-130 14-22 kW | 730112260239 | - | 6212476 |
| 7 | 588922301 Laddpump, packningar , 15/75-130 10-22 kW | 730112260239 | - | 6212486 |

